

SNC-CH260

Network HD Bullet Camera – E series

SONY
make.believe

High-Quality 1080p HD Security Camera with IR Illuminators

- Excellent 1080p HD picture quality, supporting H.264 at 30 fps
- 3 Megapixel (1920 x 1440) maximum resolution
- Three codecs (H.264, MPEG-4, JPEG) and a dual streaming capability
- The Exmor™ CMOS sensor incorporated to realize high image quality and low noise
- Dynamic range more than 60 dB



Full HD
1080

3M
MEGAPIC

KEY FEATURES

- Built-in IR (Infrared) illuminators to assist capturing objects in the dark even under 0 lx, up to 18 m (59 feet) (50 IRE) away.



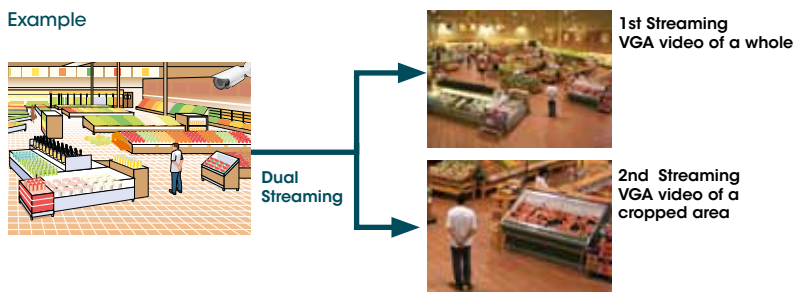
OFF

ON

Actual images of one of Sony's HD cameras with IR illuminators.

- IP66-rated waterproof and dust-tight feature for outdoor surveillance, or indoor where water ingress may pose an issue.
- Easy Focus / Easy Zoom functions for easy installation.
- True Day/Night function to switch to Day or Night mode depending on the light level.
- Stream Squared function to send two 4:3 aspect ratio videos in user-selectable resolutions up to SD simultaneously (Low-cost solution to replace two SD cameras located in a line).

Example



- Intelligent Motion Detection that supports DEPA™.



- Equipped with a phono jack to instantly monitor the video while installing the camera.
- Powered by PoE (Power over Ethernet) for simple installation.
- ONVIF (Open Network Video Interface Forum) conformance that ensures greater interoperability and more flexibility in building multiple-vendor systems.



Connect Your Vision

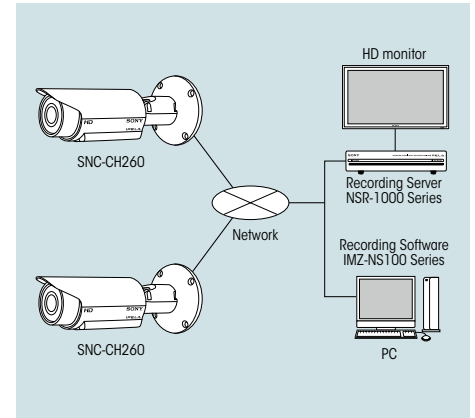
IPELA™

SPECIFICATIONS

SNC-CH260	
Camera	
Image device	1/2.8 type progressive scan "Exmor" CMOS sensor
Minimum illumination	Color: 0.70lx lx, B/W: 0 lx (IR ON) (F1.2/AGC 42dB / 50IRE (IP1))
Number of effective pixels (H x V)	Approx. 3.27Megapixel (2096x1561)
Electronic shutter speed	1s to 1/10000 s
Dynamic range	More than 60 dB
Gain control	Auto
Exposure control	Auto, EV Compensation, Auto Slow Shutter
White balance mode	Auto (AIW, AIW-PRO), Preset, One-push WB, Manual
Lens type	Built-in Vari-focal lens
Zoom ratio	Optical 2.9X (x2 Digital Zoom)
Horizontal viewing angle	88.5 degrees to 32.3 degrees
Focal length	f=3.1 mm to 8.9 mm
F-number	F1.2 (Wide), F2.1 (Tele)
Minimum objects distance	300 mm
Powered focus	Yes (Easy Focus)
Powered zoom	Yes (Easy Zoom)
IR illuminators	Yes (Wave length: 850 nm [typical], IR LED: 21 pcs)
IR working distance	18 m (59 feet) (50 IRE)
Camera Features	
Day/Night *1	Yes (True D/N)
Noise reduction	Yes
Image	
Codec image size (H x V)	1920 x 1440, 1600 x 1200, 1680 x 1056, 1920 x 1080, 1440 x 912, 1376 x 768, 1280 x 960, 1280 x 800, 1280 x 720, 1280 x 1024, 1024 x 768, 1024 x 576, 800 x 480, 768 x 576, 720 x 576, 704 x 576, 720 x 480, 640 x 480, 640x 368, 384 x 288, 320 x 240, 320 x 192 (H.264, MPEG-4, JPEG)
Video compression format	H.264, MPEG-4, JPEG
Codec streaming capability	Dual streaming
Maximum frame rate	H264: 20fps (1920 x 1440) / 30fps (1920 x 1080) MPEG-4: 15fps (1920 x 1440) / 20 fps (1920 x 1080) JPEG: 10fps (1920 x 1440) / 15fps (1920 x 1080)
Scene Analytics	
Intelligent motion detection	Yes
Network	
Protocols	IPv4, IPv6, TCP, UDP, ARP, ICMP, IGMP, HTTP, HTTPS, FTP (client only), SMTP, DHCP, DNS, NTP, RTP/RTCP, RTSP, SNMP (MIB-2)
ONVIF conformance	Yes
Number of clients	5
Authentication	IEEE802.1X
Analog Monitor Output	
Signal system	NTSC / PAL
Interface	
Ethernet	10BASE-T / 100BASE-TX (RJ-45)
Analog monitor output	Phono jack x 1 (1.0 Vp-p, 75 ohms, unbalanced, sync negative)
Sensor input	x 1, make contact, break contact
Alarm output	x 1, 24V AC/DC, 1A (mechanical relay outputs electrically isolated from the camera)
General	
Mass	1.75 kg (3 lb 14 oz)
Dimensions	ø93 x 186 mm (3 3/4 x 7 3/8 inches) ø140 x 334.8mm (5 3/8 x 13 1/4 inches) (including arm)
Power requirements	PoE
Power consumption	12.9 W max.
Starting temperature	-20 °C to +50 °C (-4 °F to +122 °F)
Working temperature	-30 °C to +50 °C (-22 °F to +122 °F)*2
Storage temperature	-20 °C to +60 °C (-4 °F to +140 °F)
Ingress protection	IP66
Safety regulation	UL2044, FCC 15B Class A, IC Class A, IEC60950-1, EN55022(A)+EN55024+EN50130-4, VCCI Class A, C-Tick Class A
System Requirements	
Operating system	Microsoft Windows XP, Windows Vista(32bit), Windows 7(32bit)
Processor	Intel Core2 Duo 2 GHz or higher
Memory	1 GB or more
Web browser	Microsoft Internet Explorer Ver. 6.0, Ver. 7.0, Ver. 8.0, Ver. 9.0 Firefox Ver.3.5 (Plug-in free viewer only) Safari Ver.4.0 (Plug-in free viewer only) Google Chrome Ver.4.0 (Plug-in free viewer only)
Supplied Accessories	
	CD-ROM (User's Guide, SNC Toolbox), Installation manual, Wire rope, +M4x8 screw, Warranty Booklet, Template

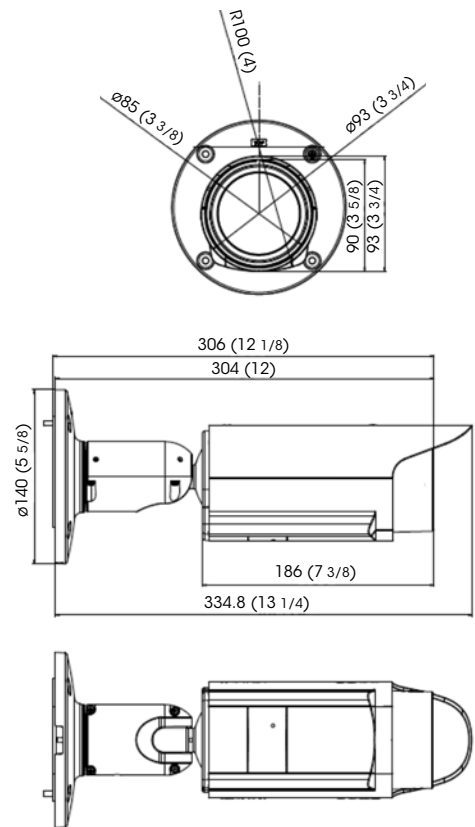
*1 Removable IR Cut Filter. *2 With a built-in heater.

SYSTEM CONFIGURATIONS



DIMENSIONS

Unit: mm (inches)



The SNC-CH260 includes software developed by the OpenSSL Project for use in the OpenSSL Toolkit (<http://www.openssl.org/>). The SNC-CH260 is equipped with a built-in heater for use in cold climates. However, the heater cannot defrost snow and frost attached on the lens cover and camera housing.

Distributed by

© 2013 Sony Corporation. All rights reserved.
 Reproduction in whole or in part without written permission is prohibited.
 Features and specifications are as subject to change without notice.
 The values for mass and dimension are approximate.
 "Sony", "make.believe", "IPELA", "Exmor", and "DEPA" are trademarks of Sony Corporation.
 All other trademarks are the property of their respective owners.